

ACTION ITEMS
STATE SOIL AND WATER CONSERVATION COMMISSION MEETING
Tuesday, November 3, 2015
8:00 a.m.
Athens, GA

1. Call to Order – Garland Thompson, Chairman
2. Invocation – Brent Dykes, Executive Director
3. Approve Minutes of August 28, 2015, Board Meeting, as previously provided (Board voted and approved the minutes)
4. Act on Supervisor Appointments (Board voted and approved all supervisors appointments- see attached list)
5. Consider Per Diem Rate for the GACD Annual Meeting (Board voted and approved the per diem rate of \$120 a day for Thursday {if attending Supervisor Training}, Friday and Saturday)
6. Executive Director's Report – Brent Dykes
 - a) Personnel Report
 - b) Report on Watershed Rehab Activities
 - c) Plans for Supervisor Training
7. Review of 2016 Edition of the Manual for Erosion and Sediment Control – Shana Jones (Carl Vinson Institute) and Brent Dykes
 - a) Vote to send Manual to Erosion and Sediment Control Overview Council for approval (Board voted and approved sending the Manual to the Overview Council with amendments to Page 6-84 and Page 6-143 (see attached pages)
8. Deputy Executive Director's Report—Dave Eigenberg
9. Quarterly Expenditure Report – Cynthia Wilbur
10. NRCS Update – Tansel Hudson
11. GACD Update
12. Public Comments
13. Next Board Meeting - January 5, 2016
14. Upcoming Dates:
 - a) Supervisor Training – February 25 & 26, 2016 – Jekyll Island
 - b) GACD Annual Meeting – February 26 & 27, 2016 – Jekyll Island

**NOMINEES FOR THE POSITION OF DISTRICT SUPERVISOR
TO BE APPOINTED BY GEORGIA SOIL and WATER CONSERVATION COMMISSION**

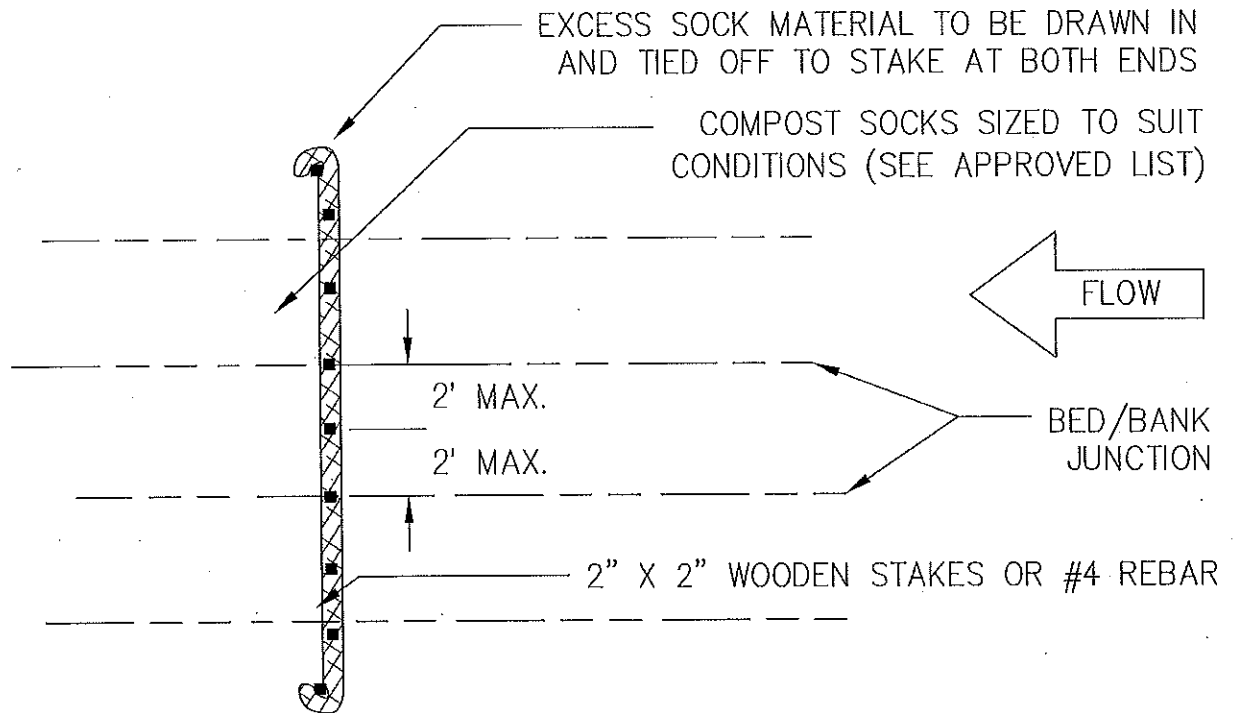
REGION	DISTRICT	COUNTY	NAME	CITY	%	FUTURE TERM WILL EXPIRE
II	Hall County	Hall	1. Thomas S. Blackstock	Talmo	NEW	11/09/17
			2. Douglas Adams			
			3. Richard Smith			
IV	Central Georgia	Bleckley	1. Paul Fleming English	Cochran	90%	10/30/17
			2. David W. Dykes			
			3. Robert L. Brockman			
	Dodge	1. James McCranie	Eastman	60%	10/30/17	
		2. Clay McCranie				
		3. Randy Obarr				
	Johnson	1. Ralph Veal, Jr.	Wrightsville	90%	10/30/17	
		2. Franklin Crabb				
		3. Mathew Waters				
	Twiggs	1. Alton V. White, III	Dry Branch	70%	10/30/17	
		2. Clay Ford				
		3. Felix Ford				
	Washington	1. Wendell Glenn Waller	Harrison	80%	10/30/17	
		2. Robbie Lindsey				
		3. Willis Hartley				
	Wilkinson	1. Dan Dixon	Gordon	90%	10/09/17	
		2. Jason Howell				
		3. Lance Rogers				
	Clayton County	Clayton	1. Brecca Johnson	Morrow	100%	09/20/17
			2. Dhanish Ramdin			
			3. Daniel Small			
Piedmont	Baldwin	1. Robert David Blizzard	Milledgeville	60%	10/30/17	
		2. W. R. Blizzard				
		3. BH Archer				
Jones	1. Hoyt Lee Brown	Gray	100%	10/30/17		
	2. Mike Rowlands					
	3. James Jeanes					
Putnam	1. James Pat Weems	Eatonton	90%	10/30/17		
	2. Mike Rainey					
	3. Clayborn Michael					
Towaliga	Butts	1. Arthur Presley	Jackson	90%	10/30/17	
		2. Harold McMichael				
		3. Mark Cook				
Spalding	1. Walter Clifford Futral, Jr.	Griffin	70%	12/04/17		
	2. Ronnie Robinson					
	3. Phil Ogletree					
Upper Ocmulgee Rv	Jasper	1. Charlie Lane	Monticello	67%	09/20/17	
		2. Charles Brock				
		3. Paul Kelly				
Newton	1. Phil Malone Standard	Covington	100%	01/20/17		
	2. Glenn Hays					
	3. Aaron Varner					
Walton County	Walton	1. Crista Carrell	Monroe	100%	11/11/17	
		2. Cheryl Brady				
		3. Mark Poss				
		1. Howard Sonny Turner	Monroe	75%	11/09/17	
		2. Matt Chandler				
		3. James Burrows				

**NOMINEES FOR THE POSITION OF DISTRICT SUPERVISOR
TO BE APPOINTED BY GEORGIA SOIL and WATER CONSERVATION COMMISSION**

V	Alapaha	Clinch	1. Roy Crumbley 2. Wiley Henson 3. Chester Mattox	Homerville	73%	10/30/17
		Cook	1. Hal Simpson 2. Tommy Daughtrey 3. Derrell Bennett, Jr.	Adel	100%	08/10/17
		Lanier	1. Bill Darsey 2. Kevin Shaw 3. Tommy Simpson	Lakeland	91%	10/30/17
	Flint River	Baker	1. Chris Moore 2. Les Rentz 3. Robert Duane Hayes	Colquitt	50%	10/30/17
		Decatur	1. Pete Miller 2. Kevin Rentz 3. Andy Bell	Bainbridge	67%	10/30/17
		Dougherty	1. Doug Wilson 2. Jacob Pascal 3. Justin Wilkerson	Albany	75%	10/30/17
		Miller	1. Billy Roland 2. Rick LaGuardia 3. Dole Cook	Colquitt	92%	10/30/17
		Mitchell	1. David Holton 2. Janet Stallings 3. Charles Stripling	Camilla	58%	10/30/17
	Middle South	Tift	1. Grady Thompson 2. Chris Goodman 3. Gerald Branch	Tifton	80%	10/12/17
	Ocmulgee River	Dooly	1. James Warbington, Sr. 2. Scott Ethridge 3. Gene Rooney	Vienna	80%	04/13/17
		Macon	1. Gary Slaton 2. Red J. Robinson 3. W. D. Hobbs, Jr.	Oglethorpe	100%	04/13/17
	Pine Mountain	Talbot	1. Frank Jordan 2. Josh Buckner 3. Jeff Ingram	Talbotton	64%	10/30/17

COMPOST SOCKS FOR CHECK DAMS

TYPICAL PLAN



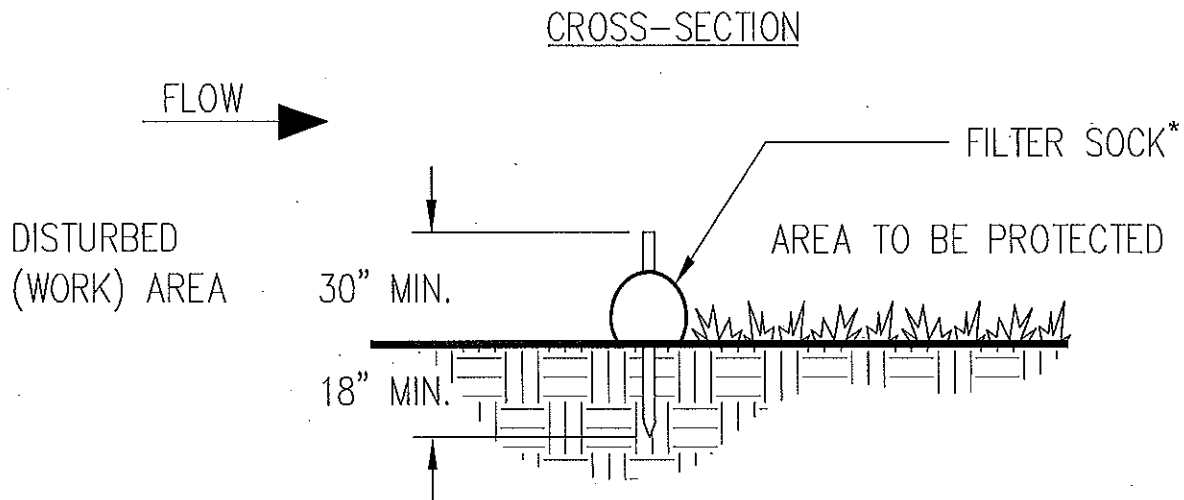
NOTES:

1. ALL MATERIAL TO MEET SPECIFICATIONS.
2. PLACE ONE STAKE AT THE CENTER OF THE DITCH/CHANNEL. ALSO PLACE STAKES AT THE BED/BANK JUNCTION AND AT END OF THE DEVICE NOT SPACED MORE THAN 2 FEET APART.
3. SEDIMENT SHOULD BE REMOVED FROM BEHIND THE CHECK DAM ONCE THE ACCUMULATED HEIGHT HAS REACHED $\frac{1}{2}$ THE HEIGHT OF THE CHECK DAM.
4. CHECK DAMS CAN BE DIRECT SEEDED AT THE TIME OF INSTALLATION.
5. MINIMUM STAKING DEPTH FOR SAND, SILT, AND CLAY SHALL BE 18".
6. COMPOST FILTER SOCK TO BE AT LEAST 18" DIA.

Figure 6-12.4

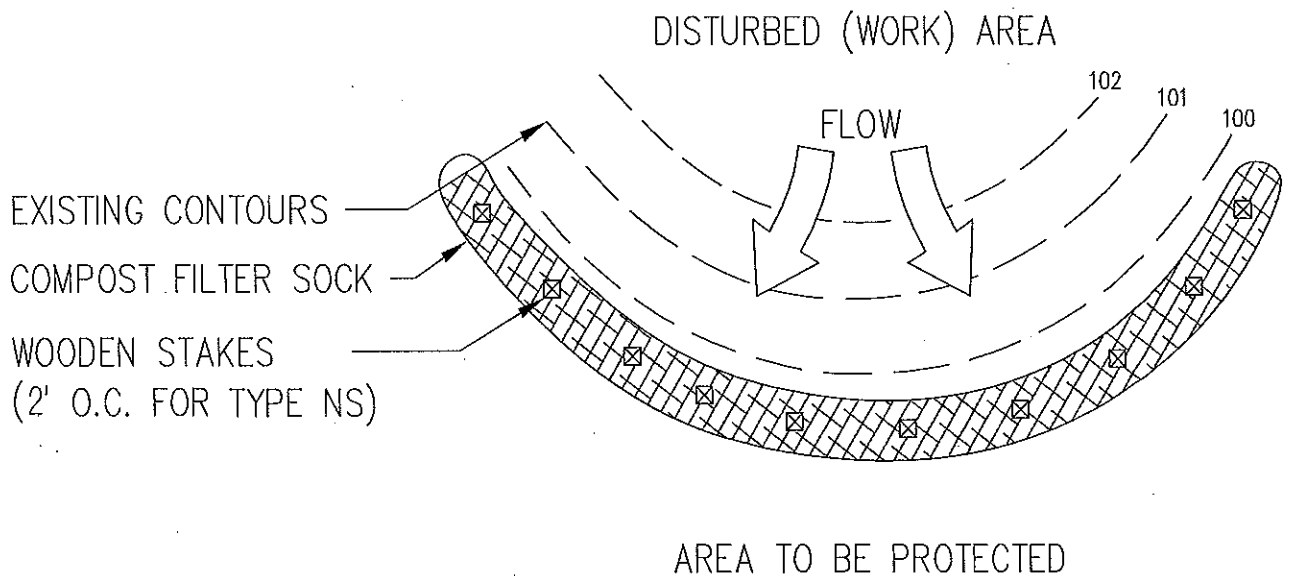
EROSION AND SEDIMENT CONTROL

TYPE B COMPOST FILTER SOCK



NOTE: FILTER SOCK SIZED TO SUIT
CONDITIONS AND AT LEAST 18" DIA
(SEE EQUIVALENT LIST)

PLAN



*HEIGHT IS TO BE SHOWN ON THE EROSION, SEDIMENTATION AND POLLUTION CONTROL PLAN

Figure 6-27.3